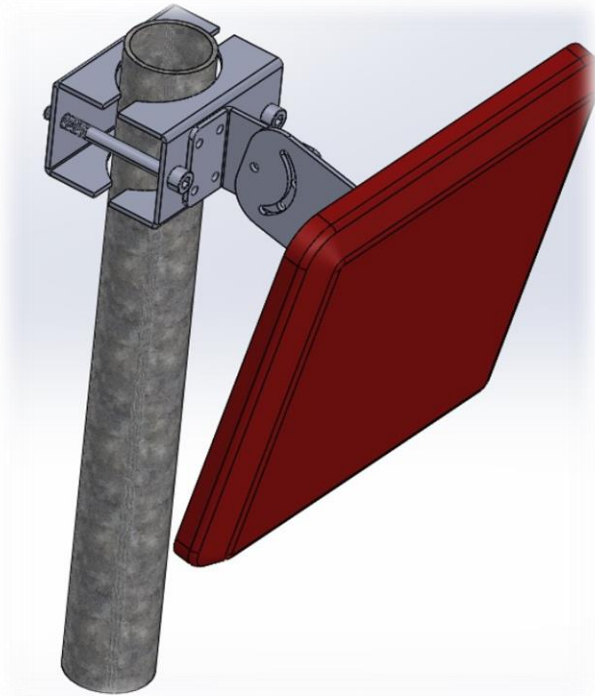


902 MHz – 928MHz RFID Panel Antenna

Features

- Low profile with high gain
- Maximum efficiency and performance across the entire frequency band
- 254mmx254mmx25.4mm
- IP67
- Connector type :
Rp-TNC/N or custom made

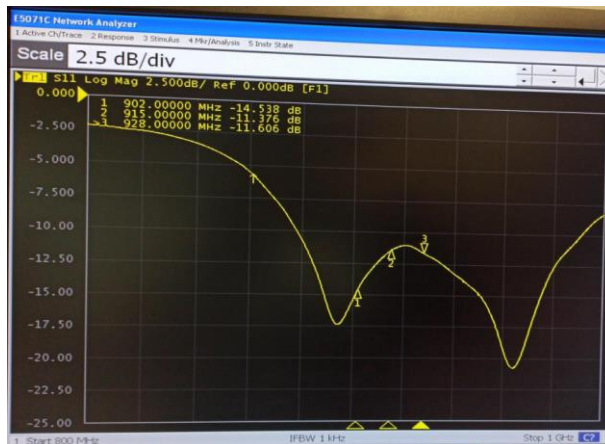


Applications

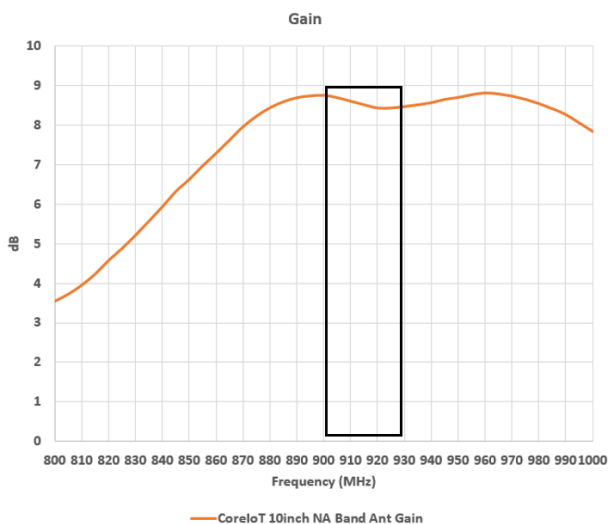
- Access control
- Fleet management
- Warehouse management
- Intelligent management of traffic

BAND	902MHz - 928MHz
STANDARD	ISM
Frequency(MHz)	915MHz Band
Max. VSWR	<1.74
Max. Return loss (dB)	<-11.76
Peak gain(dB)	8.68
Efficiency(%)	>90
Radiation properties	Directional
Max. input power	10W
Polarization	Circular
Impedence(ohms)	50

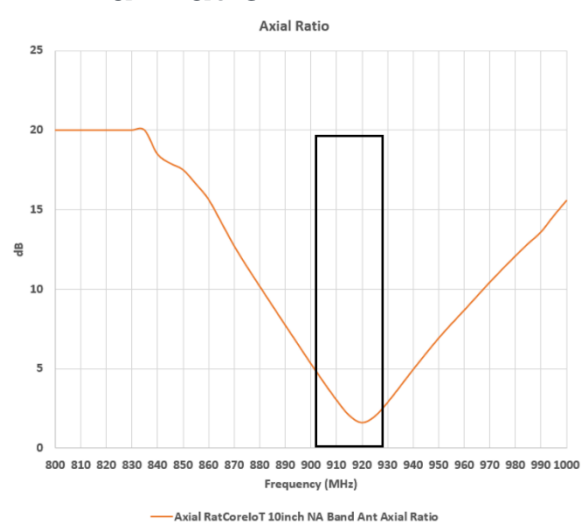
Return loss



Gain



Axial Ratio



Radiation Pattern

